



TERRACE SHELTERS

Dual-slope shelters and traditional pergolas



MITJAVILA



A new way to enjoy your outdoor spaces

Turn every moment outdoors into a unique experience. Our double-slope terrace shelters and fabric pergolas combine elegance, comfort and functionality to create genuine spaces for sharing and relaxation.



Manufactured in our
workshops in Spain

PERGOLA 04

Create an elegant outdoor space

100% aluminium structure: extruded aluminium posts and uprights, cast aluminium base plates and corner components.

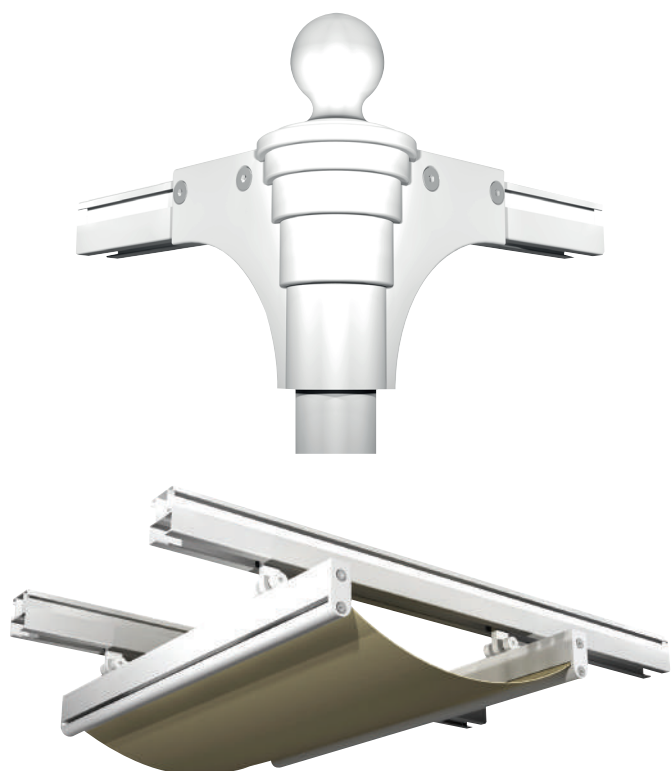
Lightweight and flexible installation: four-leg, free-standing pergola, no heavy anchoring required.

Adjustable sun protection: retractable fabric roof (100% acrylic), providing comfortable shade in summer while allowing light through when required.

Compact dimensions: ideal for terraces and small outdoor areas (maximum size 3 m x 3 m).

Discreet, timeless elegance. Traditional design with clean lines, perfectly integrated into classic architecture.

Maximum dimensions: 3 m x 3 m





Manufactured in our
workshops in Spain

PERGOLA 06

Adjustable shade, guaranteed conviviality

Lightweight yet robust aluminium structure: aluminium frame offering the ideal balance between strength and aesthetics.

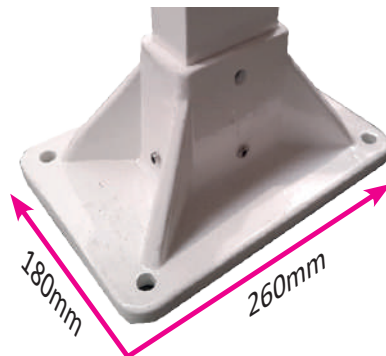
Sliding fabric for adjustable comfort: 100% acrylic UV-treated fabric, smoothly operated via a rope and pulley system to adjust shade/light.

Large covered area: up to 36 m², suitable for terraces, gardens, dining areas or relaxation spaces.

Flexible installation: free-standing or wall-mounted, adapting to various garden and terrace layouts.

“Fabric + aluminium” aesthetic: a light, elegant look that contrasts with rigid-roof pergolas, combining comfort and style.

Maximum dimensions: 6 m x 6 m



A pergola with multiple configurations



Perpendicular wall-mounted configuration

Architectural effect: creates an elegant transition between indoor and outdoor spaces, extending the building visually.

Rainwater drainage directed towards the front of the structure.



Island Configuration (Free-standing)

Complete independence: ideal for gardens or open spaces, with no supporting wall required.

Creates a central area dedicated to dining or relaxation, like a true outdoor room.



Parallel wall-mounted configuration

Visual harmony: aligned with the façade for a symmetrical, refined appearance.

Continuous protection: covers the full length of the façade, ideal for large glazed openings or long terraces.



Between-walls configuration

Discreet integration: fits perfectly between two walls for a recessed, minimalist effect.

Space-saving solution: ideal for patios or inner courtyards where every square metre counts.



Manufactured
in
France

DOUBLE-SLOPE SHELTER – Series 240

The compact double-slope shelter for practical terrace

Compact cassette ensuring optimal protection of the fabric when retracted.

Reduced format, ideal for narrow terraces, patios or small catering areas.

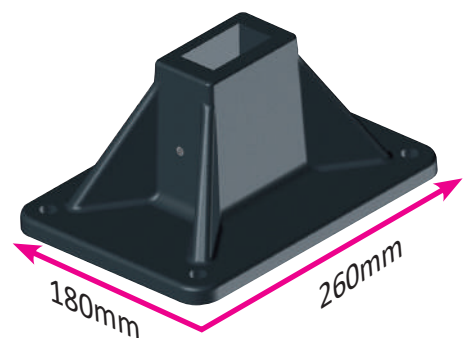
Lightweight, removable and durable aluminium structure (European manufacturing).

Discreet aesthetic integration, perfectly suited to urban environments.

Simple installation, compatible with various fixing solutions (surface-mounted / embedded / ballasted).

Manual or motorised operation depending on configuration.

Dimensions 4.8m x 5m max



ST24 fixing plate.



DOUBLE-SLOPE SHELTER – Series 250

Large format, built-in simplicity

Cost-effective and efficient double-slope shelter for covering large tables or dining areas.

Robust aluminium structure ensuring stability and resistance to outdoor conditions.

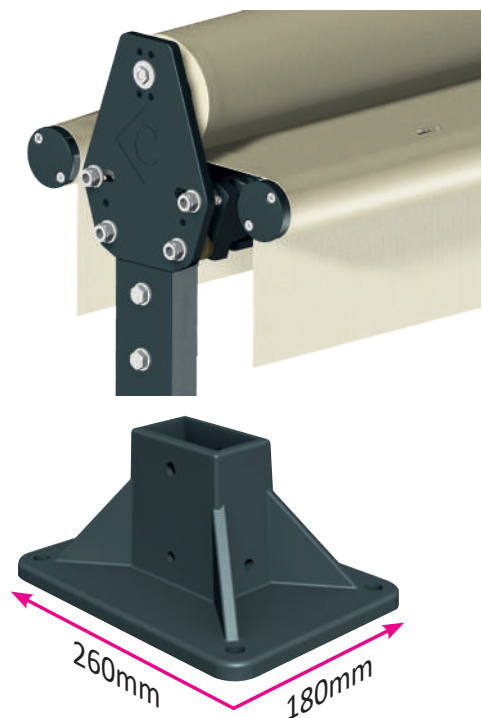
No cassette: lighter design with optimised costs.

Excellent shaded surface thanks to the double-slope geometry.

Quick assembly, removable frame, fully repairable.

Multiple fixing options: standard posts, base plates or ballast solutions.

Maximum dimensions: 4.8m x 5m



ST10 fixing plate.



SHELTER SLOPE SHELTER – Series 265

The double-slope canopy to enhance your terrace all year round

Large sun protection area up to 36 m² with a projection of 2 x 3 m.

Full aluminium cassette protecting the fabric and arms for increased durability.

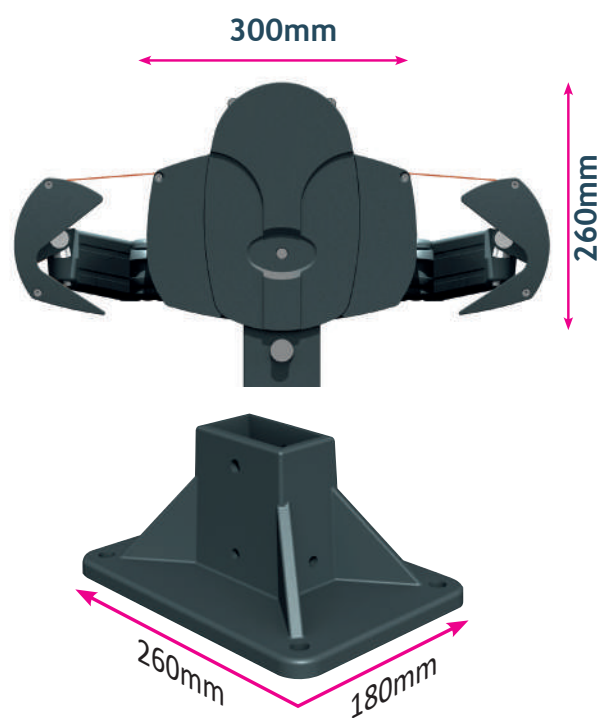
Remote-controlled motorised operation, with optional gear box or solar motorisation.

Quick and easy installation: optimised structure with multiple fixing options (ST10, ST09, ST27).

Adjustable pitch from 0° to 15° to adapt shading.

Fully removable and repairable structure, 100% recyclable aluminium.

Maximum dimensions 6m x 6m



ST10 fixing plate



SHELTER – Series 325

Turn your terrace into a true outdoor living room

Largest shaded area: up to 48 m².

Maximum dimensions: 5.98 m width x 2 x 3.50 m projection.

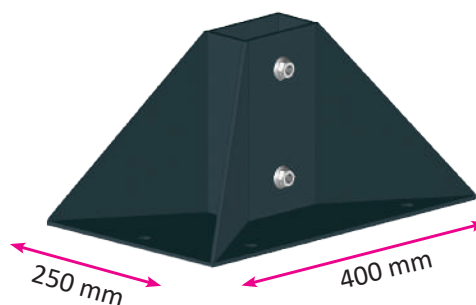
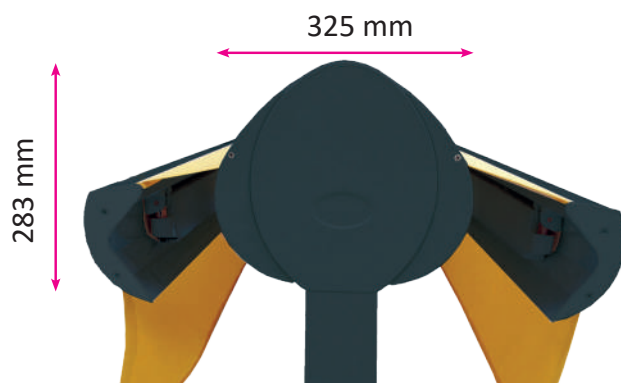
Ideal solution for restaurants, hotels, hospitality venues and large public spaces.

Refined aesthetics: wide cassette, modern lines, symmetrical arms.

Fixings adapted to large spans: ST42 (solid terraces) and ST4202 (embedded fixing).

Robust aluminium structure, removable and replaceable components. Excellent wind stability thanks to the double-slope geometry and reinforced fixings.

Maximum dimensions 6m x 7m



ST42 fixing plate



HARMONIA TERRACE SHELTER

Complete terrace solution: double-slope shelter and outdoor lounge

Double-slope shelter integrated with a table or seating for a complete, cohesive terrace solution.

Available in 6- or 8-seat versions, with sofas or benches depending on configuration.

All-in-one solution designed for dining, relaxation and entertaining, for residential or professional use.

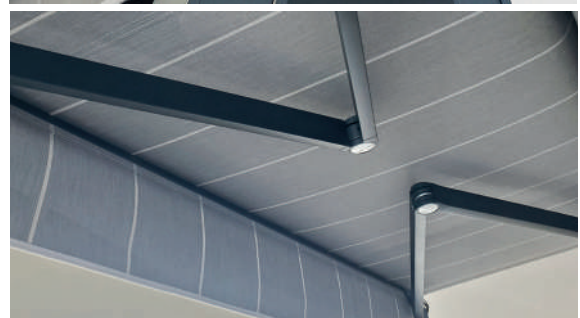
Shelter fabric identical to the cushion fabric: no colour variation, perfectly uniform aesthetic.

Powder-coated aluminium frame matched to the furniture: same colour, same finish.

Elegant, consistent style, ideal for giving a strong visual identity to the terrace.

Width 2.5 m × 4 m (6 seats)

Width 3.4 m × 4 m (8 seats)



Composition: Bench or sofa, 6 to 8 seats



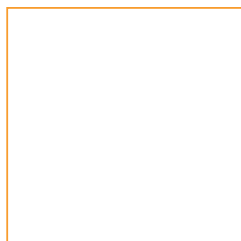
The Harmonia range also includes outdoor lounge sets



Standard frame colours:

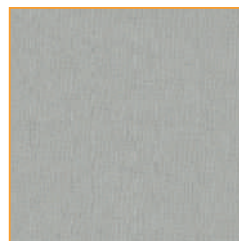


Anthracite Grey



Gloss White

Standard fabric collection:



Light Grey



Anthracite Grey

Cushion features:

- Acrylic fabric
- High-resilience polyurethane foam
- Removable covers
- UV resistant
- Water-repellent fabric

Other fabric options available:

Tibelly


DICKSON



Our terrace shelters and fabric pergolas are available directly from catalogue to meet every requirement. Whether you are looking for:

A complete, ready-to-install solution,

The frame only to customise your project,

Spare parts for even greater flexibility,

You will find the solution that suits your needs. Thanks to the flexibility of our ranges and the quality of our materials, every outdoor space can be transformed into a place of lasting comfort and conviviality.



MITJAVILA